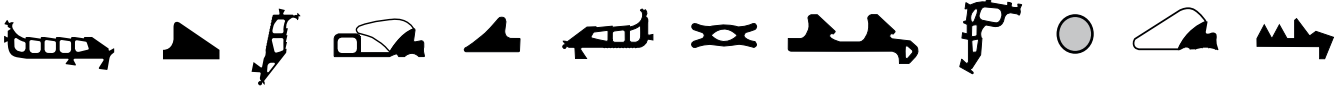


PRODUCT DATA SHEET
DS IGLU-PROFILE



DS IGLU Profile is a sealing ring made from closed cellular elastomers serving as an inner seal of jacking pipe joints.

- DS IGLU Profile is in accordance with the requirements of EN 681-3 (seals made from cellular elastomers).
- DS IGLU Profile is a compression seal.
- DS IGLU Profile is mounted with a flexible strip to the wood packing and is compressed between the pipe fronts (front seal) when the pipes are installed.
- DS IGLU Profile requires a butt joint with very tight tolerance. It is only suitable for straight pipe jacking.

SPECIAL ADVANTAGES

- Pre-mounted inner seal for the straight pipe jacking.
- If the joint tolerances are observed, the pipe connection will be provided with an effective second seal after pipe jacking.

MATERIAL

DS IGLU Profile is produced from closed cellular styrene butadiene rubber (SBR). The material resists the usual stresses caused by sewage. It can be used from pH 2 to pH 12. It is not resistant if permanently exposed to organic solvents (e.g. petrol and oils). Other materials on request.

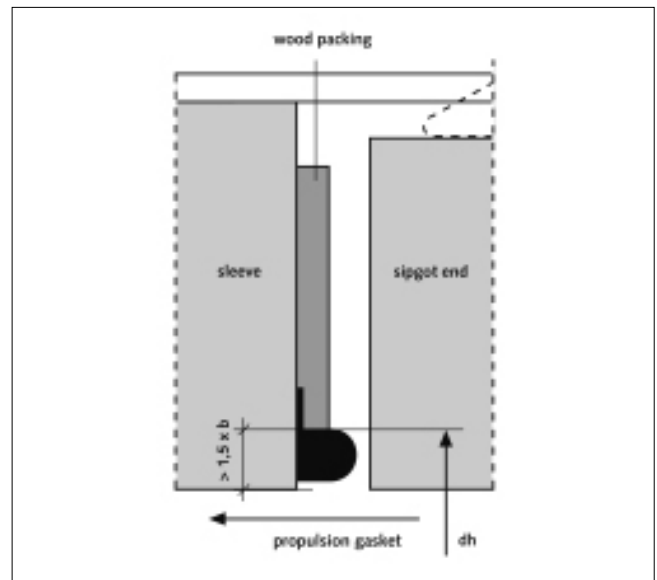
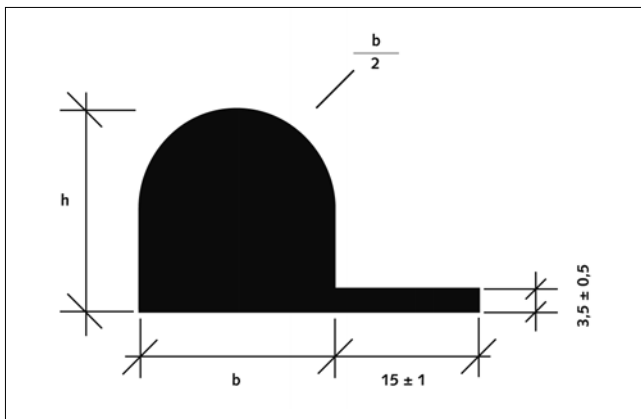


PIPE AND JACKING REQUIREMENTS

- Highly accurate parallelism and flatness of pipe front faces.
- When determining the allowed pipe jacking force the constriction of the wood packing by the DS IGLU Profile must be taken into account.
- Straight jacking with minimal vertical and horizontal deviations caused by steering movements.
- The pipe butt joints in the finished structure must nowhere exceed the allowed minimum and maximum joint width for the mounted profile, because otherwise the profile would not ensure a secure seal against 0.5 bar and 1.0 bar pressure.

DIMENSIONING OF THE SEALING RING

(Alle dimensions in mm)



INSTALLATION TIPS

- In the mounted condition wood packing has to be spaced apart from inner pipe wall at least $1.5 \times$ height of profile.
- Form DS IGLU Profile ring and glue ends together with 2% of upsetting or order as pre-fabricated ring (cut length = $(dH - b) \times 3.21$). Since the profile is used as a seal the ring ends must be cut and glued carefully (e.g. DS special adhesive), if the ring is formed by the concrete factory or at the construction site.
- Place DS IGLU Profile into the wood packing ring, distribute pre-compression and fix it to the wood packing with clamps. The strap has to be arranged into a recess on the socket side of the wood packing.
- For joint widths larger or smaller than those stated below (see table, columns 3 and 4), IGLU Profile must be removed at the end of pipe jacking and replaced by a thicker or thinner FERMADUR-Profile, in order to ensure a tight seal.

DS IGLU-Profil h/b [mm] 1	Tolerance h/b [mm] 2	Suitable for butt joints From...to...[mm] 3	Minimum join width ⁴⁾ [mm] 4	Maximum join width ⁵⁾ [mm] 5	Thickness of wood packing ⁶⁾ [mm] 6
17 / 17 ⁷⁾	+1,6 / -0,4	8,5 ¹⁾ – 11,0 ²⁾ – 12,7 ³⁾	7,0	25,5	11,0
25 / 25	"	12,5 – 16,2 – 18,7	10,0	37,5	16,0
30 / 30	+2,0 / -0,4	15,0 – 19,5 – 22,5	12,0	45,0	19,0
40 / 40	"	20,0 – 26,0 – 30,0	16,0	60,0	25,0
50 / 50	"	25,0 – 32,5 – 37,5	20,0	75,0	-

1) Min. allowed joint width

2) Max. allowed joint width for pressures up to 1.0 bar

3) Max. allowed joint width for pressures up to 0.5 bar

4) Min. joint width required during pipe jacking (destruction of rubber)

5) In deformed condition: $1.5 \times b$

6) Particle board

7) Available if minimum quantity is ordered

Values and properties shown in diagrams and tables are not subject to any guarantees. Our warranty is limited to the values and properties as required by the relevant standards. Our literature, data sheets and recommendations represent our knowledge at the time of printing but are in no way legally binding on us. Our "General Conditions of Sale" apply to all sales.

DS⁺
DICHTUNGSTECHNIK